



Installation Instructions

REV 6 11/01/25

Part No. **2149**

Product: Running Boards

Application: **Ford F-150 2015 + Including Lightning**
Ford Super Duty 2017+

Level of Difficulty: 1 2 3 4 5

Professional Installation Time: 90 Min.

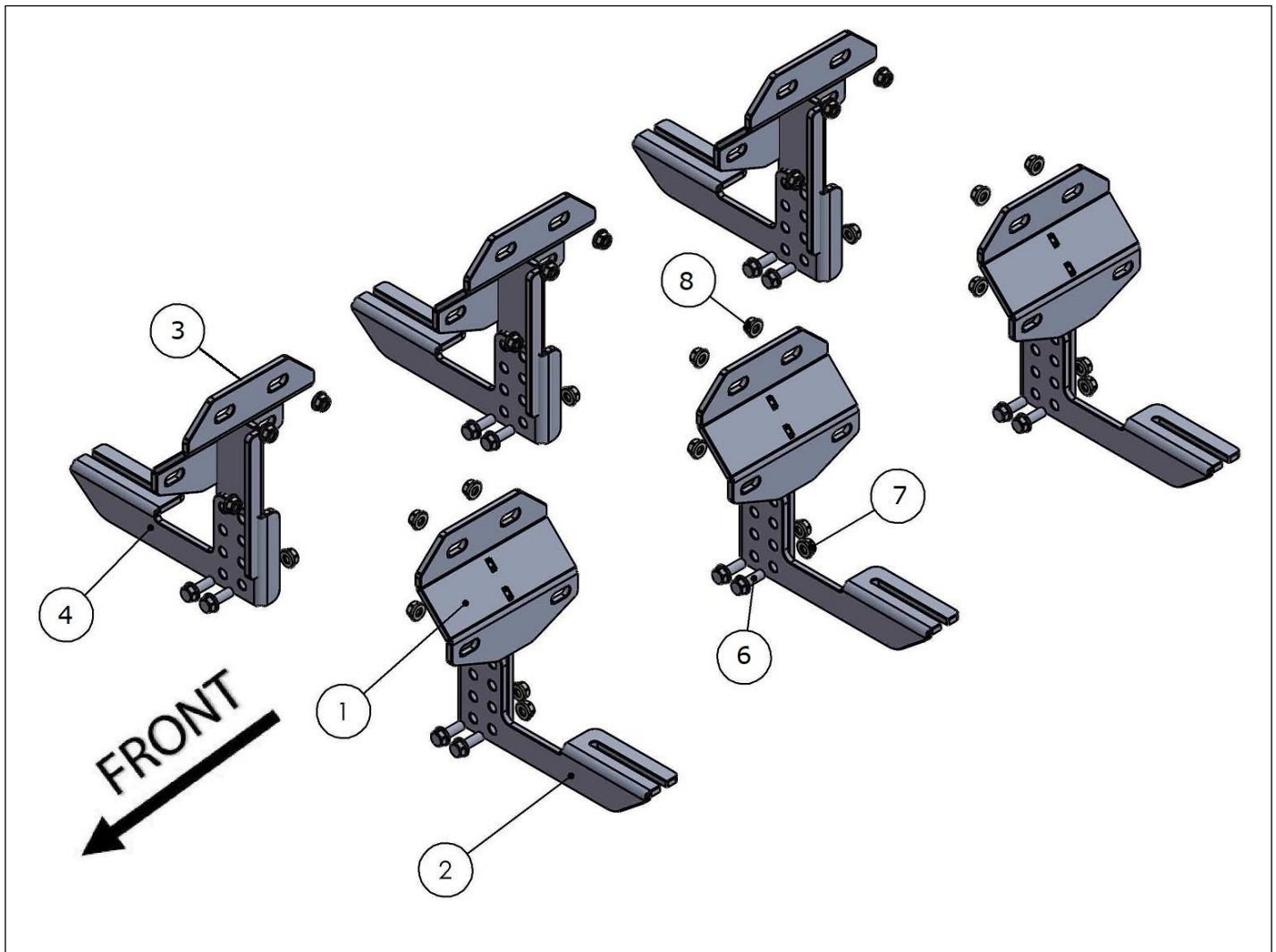
DIY Installation Time: 180 Min

Hardware	Torque Aluminum	Torque Steel to Steel
M6 Bolt	3 ft-lbs.	14 ft-lbs.
M8 Bolt	7 ft-lbs.	35 ft-lbs.
M10 Bolt	16 ft-lbs.	64 ft-lbs.
M12 Bolt	28 ft-lbs.	112 ft-lbs.

ATTENTION: Use correct torque settings to avoid damaging the running boards and or mounting brackets. Failure to do so will void your warranty. If you have any questions, please contact our technical team at 1-866-717-6645

Attention: Please make sure that you have the latest instructions from *Romik.com*

QR Scan



1



**DRIVER SIDE
FRONT-CENTER-REAR
BRACKET-1
3 x QTY**

2



**DRIVER SIDE
FRONT-CENTER-REAR
BRACKET-2
3 x QTY**

3



**PASSENGER SIDE
FRONT-CENTER-REAR
BRACKET-1
3 x QTY**

4



**PASSENGER SIDE
FRONT-CENTER-REAR
BRACKET-2
3 x QTY**

HARDWARE

5



**HTC 271
M8 CLIPS
18x**

6



**M10x25
FLANGE BOLT
12x**

7



**M10
FLANGE NUT
12x**

8



**M8
FLANGE NUT
18x**

9



**M18
WASHER
18x**

Installation Instructions 2149 “DRP” Bracket Kit

Thank you for choosing the Romik DRP System. This system allows you to adjust the brackets from 0 to 3-inch drop. If you ordered the **optional** DRP cover you can customize them to match the desired height by cutting on the lines inside the cover. Please test before cutting, in many cases you will be able to tuck the cover behind the body of the vehicle without cutting. NOTE: **Blue Loctite is recommended on all metal parts**



Step 1: Locate 3 mounting locations and hardware as per 1st page of this installation manual please review bracket orientation for you model before starting. Assemble DRP bracket and set to desired height.

Step 2: If the factory studs are covered with paint proceed to clean thread with an M8 tap and die kit. Front Figure 1, Middle Figure 2, rear Figure 3.



Step 3: Install HTC 271 on all studs Figure 4 and proceed to install all 3 brackets.



Step 4: Torque factory nuts to 35 lbs. Torque #6 bolts to 64 lbs. Install DRP covers on brackets. Proceed to last page of this manual for running board install instructions and torque values. Use of a level is recommended.

NOTE: DRP system is designed to assist you getting in and out of the vehicle. However the lower you place the brackets the lower the weight rating. For maximum weight capacity use DRP brackets at zero.

For Technical support please call our team at 1-866-717-6645 and one of our experts will assist you with this installation.

Thank you for choosing Romik.

Installation Instructions Running Boards

NOTE: Use of power tools will damage the bottom of the running board and void your warranty.

RAL/RB2/REC/RZR Running boards

Step 1: loosen the M8 hardware on back of the running boards.

Step 2: Slide running board onto brackets

Step 3: Tighten hardware to 7 ft lbs.

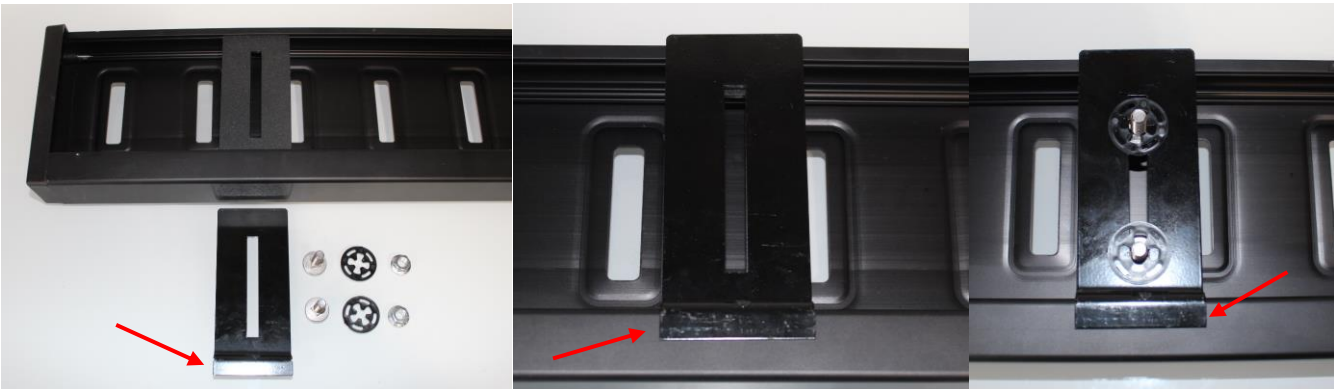


ROF/RPD/ROB Running boards

Step 1: Place clamping plate on top of running board as shown below. Make sure clamping plate sits correctly on running board surface.

Step 2: Install carriage bolts and plastic retaining clips as shown below.

Step 3: Install and tighten hardware to 7 ft lbs.



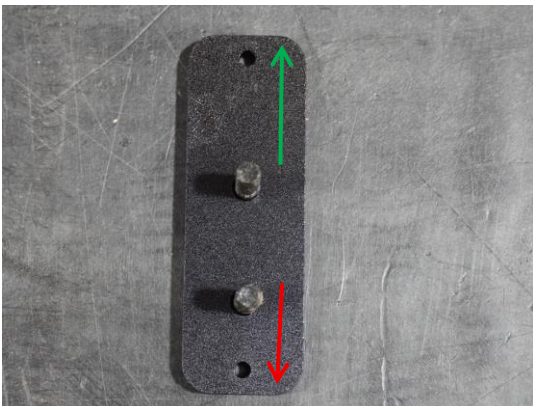
RPT-R Running boards

Step 1: Place the RPT-R running board on top of the mounting brackets. If you are using the optional DRP covers, make sure they are installed first.

Step 2: Slide the RPT-R clamp plates from inside the running board to its location. Wide section out green arrow / Narrow section towards the vehicle red arrow

Step 3: Repeat procedure on all mounting brackets

Step 4: Install and tighten hardware to 7 ft lbs.



Product Registration and Warranty Information



- Register your Romik products at <https://romik.com/productregistration>
- Warranty information at <http://www.romik.com/warranty>

Cleaning and maintaining your Romik Running boards

Cleaning and maintaining your running boards is important, apply a light coat of a quality carnauba wax at least 2X per year. Wash often with mild soap and make sure to remove all soap residue. Many car automatic carwashes use a strong soap, make sure to use enough water to remove all residue.

For video instructions on how to clean your Romik products please click here <https://romik.com/cleaning>